

# Smart Energy Center



reddot award 2016  
winner

## Higher Revenue

- High efficiency inverter topology, Max. Efficiency 98.6%, European Efficiency 98.0%

## Simple & Easy

- 10.6kg, allows one person simple installation
- Optimized AC connector for quick wiring
- Supports one-click inverter configuration

## Battery Ready

- Integrated Plug & Play energy storage interface

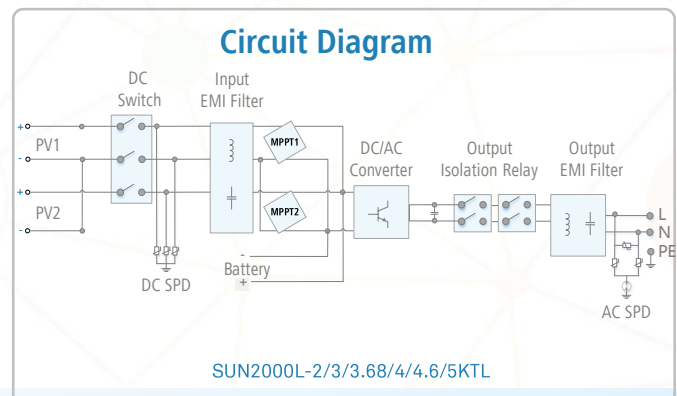
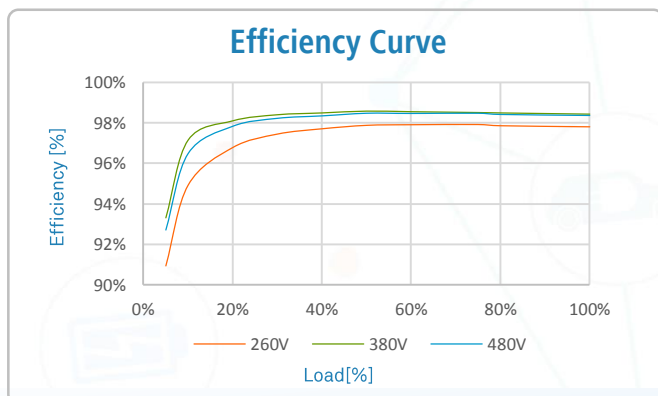
## Safe & Reliable

- IP65, Natural cooling
- Integrated lightning protection for both DC and AC
- Zero export function with smart meter

# SUN2000L-2/3/3.68/4/4.6/5KTL



Technical Specification	SUN2000L-2KTL	SUN2000L-3KTL	SUN2000L-3.68KTL	SUN2000L-4KTL	SUN2000L-4.6KTL	SUN2000L-5KTL
<b>Efficiency</b>						
Max. efficiency	98.4%	98.5 %	98.5 %	98.6 %	98.6 %	98.6 %
European weighted efficiency	97.0 %	97.6 %	97.8%	97.9 %	98 %	98 %
<b>Input</b>						
Recommended max. PV power	2660 Wp	3990 Wp	4968 Wp	5400 Wp	6210 Wp	6750 Wp
Max. input voltage	600 V					
Operating voltage range <sup>1</sup>	90 V~ 600 V					
Start-up voltage	120 V					
Full power MPPT voltage range	120V~480 V	160 V~480 V	190 V~480 V	210 V~480 V	260 V~480 V	260 V~480 V
Rated input voltage	380 V					
Max. input current per MPPT	11 A					
Max. short-circuit current	15A					
Number of MPP trackers	2					
Max. number of inputs per MPPT	1					
<b>Output</b>						
Grid connection	Single phase					
Rated output power	2000 W	3000 W	3680 W	4000 W	4600 W	5000 W <sup>2</sup>
Maximum apparent power	2200 VA	3300 VA	3680 VA	4400 VA	5000 VA <sup>3</sup>	5500 VA <sup>4</sup>
Rated output voltage	220 V / 230 V / 240 V					
Rated AC grid frequency	50 Hz / 60 Hz					
Maximum output current	10 A	15 A	16 A	20 A	23 A <sup>5</sup>	25 A <sup>5</sup>
Adjustable power factor	0.8 leading ... 0.8 lagging					
Max. total harmonic distortion	≤ 3 %					
<b>Protection</b>						
Anti-Islanding protection	Yes					
DC reverse polarity protection	Yes					
Insulation monitoring	Yes					
DC lightening protection	Yes					
AC lightening protection	Yes					
Residual current monitoring	Yes					
AC overcurrent protection	Yes					
AC short-circuit protection	Yes					
AC over-voltage protection	Yes					
Over-heat protection	Yes					
<b>General Data</b>						
Operating temperature range	-30 ~ +60 °C ( Derating above 45°C @ Rated output power )					
Relative operating humidity	0 %RH~ 100 %RH					
Operating altitude	0-4000 m ( Derating above 4000m )					
Cooling	Natural Convection					
Display	LED Indicators					
Communication	RS485, WLAN					
Weight (incl. mounting bracket)	10.6 kg					
Dimension (incl. mounting bracket)	375X375X161.5 mm					
Degree of protection	IP65					
<b>Battery Compatibility</b>						
Battery	LG Chem RESU 7H_R / 10H_R					
Voltage range	350~450 Vdc					
Max. current	10 A					
Communication	RS485					
<b>Standard Compliance (more available upon request)</b>						
Safety	EN/IEC 62109-1, EN/IEC 62109-2					
Grid connection standards	G83/2,G59/3, EN 50438, CEI 0-21, VDE-AR-N-4105, UTE C 15-712-1, AS 4777					



\*1. Only applicable for PV string. The maximum input voltage and operating voltage upper limit will be reduced to 495 V when inverter connects and works with battery.  
 \*2. AS4777:4990W. \*3. VDE-AR-N 4105:4600VA / AS4777:4990VA. \*4. AS4777:4990VA. \*5. AS4777:21.7A.